



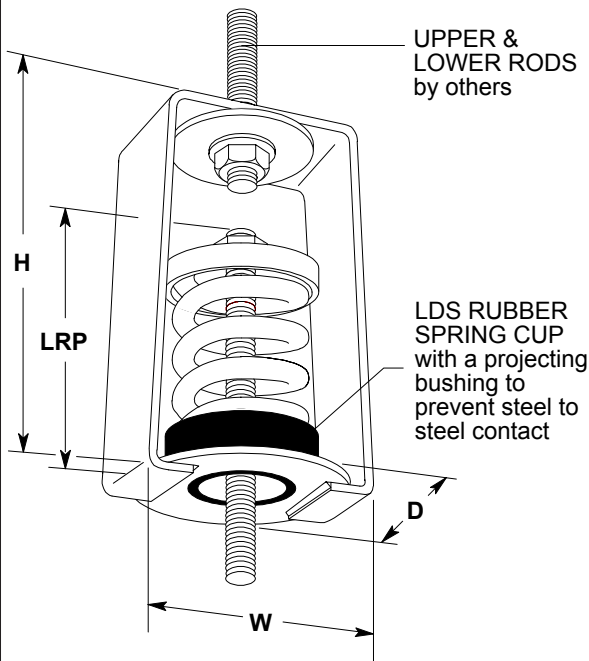
MASON INDUSTRIES, Inc.

Manufacturers of Vibration Control Products
 350 Rabro Drive 2101 W. Crescent Ave., Suite D
 Hauppauge, NY 11788 Anaheim, CA 92801
 631/348-0282 714/535-2727
 FAX 631/348-0279 FAX 714/535-5738
 Info@Mason-Ind.com Info@MasonAnaheim.com
 www.Mason-Ind.com

JOB NAME _____
 CUSTOMER _____
 CUSTOMER P.O. _____
 MASON M.I. _____
 DWG. NO. _____

HS

1"(25mm)Defl.
 X & A Spring
 Series Hangers



LDS stands for Low Dynamic Stiffness
 Bridge Bearing Natural Rubber to minimize
 noise and vibration transmission.

TYPE HS RATINGS

Size	Rated Capacity		Rated Defl.		Spring Constant		Spring Color
	(lbs)	(kg)	(in)	(mm)	(lbs/in)	(kg/mm)	
HS-X-12	12	5	1.25	32	10	0.18	Orange
HS-X-23	23	10	1.30	33	18	0.3	Brown
HS-X-33	33	15	1.10	28	30	0.5	Red
HS-X-54	54	25	1.20	31	45	0.8	White
HS-X-76	76	35	1.02	26	73	1.3	Black
HS-X-113	113	51	1.00	25	113	2.0	Yellow
HS-X-130	130	59	1.00	25	130	2.3	Purple
HS-X-175	175	79	1.00	25	175	3.1	Silver
HS-X-210	210	95	1.00	25	210	3.8	Blue
HS-A-12	12	5	1.00	25	12	0.2	Red
HS-A-18	18	8	1.00	25	18	0.3	Gray
HS-A-25	25	11	1.00	25	25	0.4	Orange
HS-A-41	41	19	1.18	30	35	0.6	Pink
HS-A-56	56	25	1.14	29	49	0.9	Black
HS-A-73	73	33	1.06	27	69	1.2	Tan
HS-A-95	95	43	1.01	26	94	1.7	Green
HS-A-45	45	20	1.60	41	28	0.5	Blue
HS-A-75	75	34	1.50	38	50	0.9	Orange
HS-A-125	125	57	1.33	34	94	1.7	Brown
HS-A-200	200	91	1.15	29	174	3.1	Black
HS-A-310	310	141	1.00	25	310	5.5	Yellow
HS-A-400	400	182	1.00	25	400	7.2	Green
HS-A-510	510	232	1.00	25	510	9.1	Red
HS-A-625	625	284	1.00	25	625	11.2	White

All springs have additional travel to solid equal to 50% of Rated Deflection.

TYPE HS DIMENSIONS

Size Range	D		H		W		LRP		MRD	
	(in)	(mm)	(in)	(mm)	(in)	(mm)	(in)	(mm)	(in)	(mm)
HS-X-12-210	2 1/2	64	4 1/4	108	2 7/8	73	3 1/2	89	3/8	10
HS-A-12-25	2 3/4	70	5 3/4	146	3 1/4	83	3 1/2	89	5/8	16
HS-A-41-95	2 3/4	70	5 3/4	146	3 1/4	83	4	102	5/8	16
HS-A-45-125	2 3/4	70	5 3/4	146	3 1/4	83	4	102	5/8	16
HS-A-200-625	2 3/4	70	5 3/4	146	3 1/4	83	4	102	5/8	16

LRP - Lower Rod Penetration
 MRD - Maximum Rod Diameter

PLAN VIEW OF HANGER LOCATIONS

TAG : _____
 UNIT : _____



SPECIFIED DEFLECTION

1 :	6 :
2 :	7 :
3 :	8 :
4 :	9 :
5 :	10 :
Sets Required:	



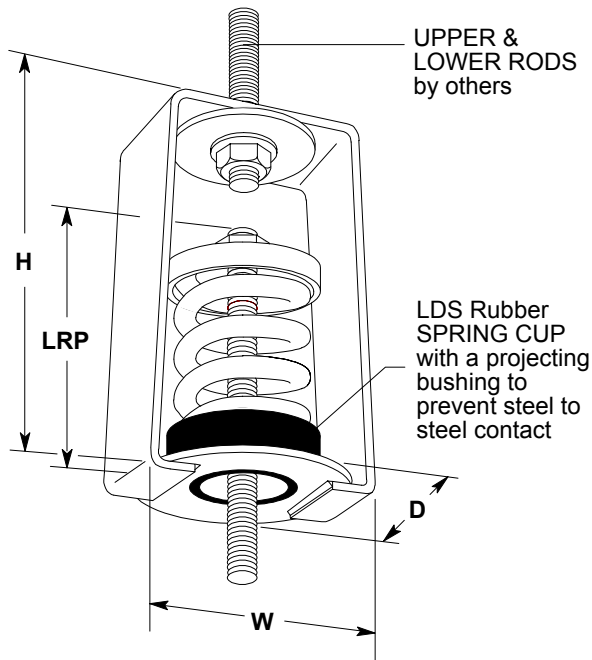
MASON INDUSTRIES, Inc.

Manufacturers of Vibration Control Products
 350 Rabro Drive 2101 W. Crescent Ave., Suite D
 Hauppauge, NY 11788 Anaheim, CA 92801
 631/348-0282 714/535-2727
 FAX 631/348-0279 FAX 714/535-5738
 Info@Mason-Ind.com Info@MasonAnaheim.com
 www.Mason-Ind.com

JOB NAME _____
 CUSTOMER _____
 CUSTOMER P.O. _____
 MASON M.I. _____
 DWG. NO. _____

HS

1" (25mm) Defl.
 B, 1, 2 & 4 Spring
 Series Hangers



LDS stands for Low Dynamic Stiffness Bridge Bearing Natural Rubber to minimize noise and vibration transmission.

TYPE HS RATINGS

Size	Rated Capacity		Rated Defl.		Spring Constant		Spring Color
	(lbs)	(kg)	(in)	(mm)	(lbs/in)	(kg/mm)	
HS-B-65	65	30	2.10	58	31	0.6	Brown
HS-B-85	85	39	2.10	53	40	0.7	Wht/Blk
HS-B-115	115	52	2.00	51	57	1.0	Silver
HS-B-150	150	68	2.00	51	75	1.3	Orange
HS-B-280	280	127	1.60	41	174	3.1	Green
HS-B-450	450	204	1.31	33	344	6.1	Red
HS-B-750	750	341	1.12	28	670	12.0	White
HS-B-1000	1000	455	1.00	25	1000	17.9	Blue
HS-1-1000	1000	455	1.00	25	1000	17.9	Black
HS-1-1350	1350	614	1.00	25	1350	24.2	Yellow
HS-1-1750	1750	795	1.00	25	1750	31.3	Black*
HS-1-2100	2100	955	1.00	25	2100	37.6	Yellow*
HS-1-2385	2385	1084	1.00	25	2385	42.7	Yellow**
HS-1-2650	2650	1205	1.00	25	2650	47.4	Red*
HS-1-2935	2935	1334	1.00	25	2935	52.5	Red**
HS-2-2700	2700	1227	1.00	25	2700	48.3	Yellow
HS-2-3500	3500	1591	1.00	25	3500	62.6	Black*
HS-2-4200	4200	1909	1.00	25	4200	75.2	Yellow*
HS-4-5400	5400	2455	1.00	25	5400	96.6	Yellow
HS-4-7000	7000	3182	1.00	25	7000	125.3	Black*
HS-4-8400	8400	3818	1.00	25	8400	150.3	Yellow*
HS-4-9540	9540	2973	1.00	25	9540	117.0	Yellow**
HS-4-10600	10600	4818	1.00	25	10600	189.7	Red*
HS-4-11740	11740	5336	1.00	25	11740	210.1	Red**

* with Red inner spring ** with Green inner spring

All springs have additional travel to solid equal to 50% of Rated Deflection.

TYPE HS DIMENSIONS

Size Range	D		H		W		LRP		MRD	
	(in)	(mm)	(in)	(mm)	(in)	(mm)	(in)	(mm)	(in)	(mm)
HS-B-65-100	4	100	7 1/4	184	4 3/4	121	4 1/4	108	3/4	19
HS-1-1000-2935	4	100	8	222	5 1/4	133	5	127	7/8	22
HS-2-2700-4200	8	200	10	254	5 1/4	133	7	178	1	25
HS-4-4500-11740	8 3/4	275	13 1/2	330	6	225	7	178	1 1/4	32

LRP - Lower Rod Penetration
 MRD - Maximum Rod Diameter

PLAN VIEW OF HANGER LOCATIONS

TAG : _____
 UNIT : _____



SPECIFIED DEFLECTION

1 :	6 :
2 :	7 :
3 :	8 :
4 :	9 :
5 :	10 :
Sets Required:	



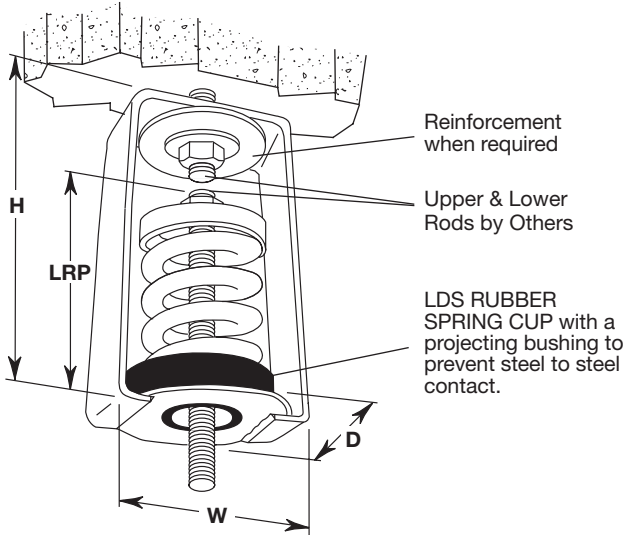
MASON INDUSTRIES, Inc.

Manufacturers of Vibration Control Products

350 Rabro Drive 2101 W. Crescent Ave., Suite D
 Hauppauge, NY 11788 Anaheim, CA 92801
 631/348-0282 714/535-2727
 FAX 631/348-0279 FAX 714/535-5738
 Info@Mason-Ind.com Info@MasonAnaheim.com
 www.Mason-Ind.com

JOB NAME _____
 CUSTOMER _____
 CUSTOMER P.O. _____
 MASON M. _____
 DWG No. _____

HS
 2" 50mm Deflection
 B, B2, C2, 2-C2
 & 4-C2
 Series Hangers



LDS stands for **Low Dynamic Stiffness Bridge Bearing**.
 Natural Rubber to minimize noise and vibration transmission.

LRP - Lower Rod Penetration
 MRD - Maximum Rod Diameter

TYPE HS RATINGS

Type and Size	Rated Capacity (lbs) (kg)		Rated Deflection [†] (in) (mm)		Spring Constant ^{††} (lbs/in) (kg/mm)		Spring Color
HS-B-20	20	9	2.40	61	8	0.15	Tan
HS-B-26	26	12	2.18	55	12	0.22	White/Blue
HS-B-35	35	16	2.20	56	16	0.29	Purple
HS-B-50	50	23	2.20	56	24	0.41	White/Red
HS-B-65	65	30	2.10	53	31	0.57	Brown
HS-B-85	85	39	2.10	53	40	0.74	White/Blk
HS-B-115	115	52	2.00	51	57	1.0	Silver
HS-B-150	150	68	2.00	51	75	1.3	Orange
HS-B2-210	210	96	2.12	54	99	1.8	Silver
HS-B2-290	290	132	2.00	51	144	2.6	Blue
HS-B2-450 [‡]	450	205	2.00	51	224	4.0	Tan
HS-B2-680 [‡]	680	309	2.00	51	340	6.1	Gray
HS-C2-125	125	57	2.50	64	50	0.9	Purple
HS-C2-170	170	77	2.40	61	70	1.3	Brown
HS-C2-210	210	96	2.30	58	90	1.7	Red
HS-C2-260	260	118	2.20	56	120	2.1	White
HS-C2-330	330	150	2.00	51	165	2.9	Black
HS-C2-460	460	209	2.00	51	230	4.1	Blue
HS-C2-610	610	277	2.00	51	305	5.4	Green
HS-C2-880 [‡]	880	400	2.00	51	440	7.8	Gray
HS-C2-1210 [‡]	1210	550	2.00	51	605	10.8	Silver
HS-C2-1540 [‡]	1540	700	2.00	51	770	13.7	Gray*
HS-C2-1870 [‡]	1870	850	2.00	51	935	16.7	Silver*
HS-2-C2-2420 [‡]	2420	1100	2.00	51	1210	21.6	Silver
HS-2-C2-3080 [‡]	3080	1400	2.00	51	1540	27.5	Gray*
HS-2-C2-3740 [‡]	3740	1700	2.00	51	1870	33.3	Silver*
HS-4-C2-3520 [‡]	3520	1600	2.00	51	1760	31.4	Gray
HS-4-C2-4840 [‡]	4840	2200	2.00	51	2420	43.1	Silver
HS-4-C2-6160 [‡]	6160	2800	2.00	51	3080	55.0	Gray*
HS-4-C2-7480 [‡]	7480	3400	2.00	51	3740	66.7	Silver*

*with Red inner spring

[‡]Published ratings allow minimum 25% additional travel to solid. For a full 50% specified minimum, use the ratings shown in the table below

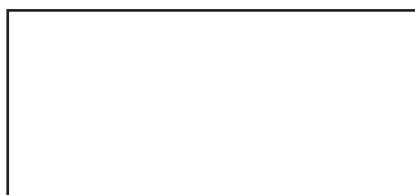
TYPE HS DIMENSIONS

Size Range	D (in) (mm)		H (in) (mm)		W (in) (mm)		LRP (in) (mm)		MRD (in) (mm)
HS-B-20-150	4	102	7 1/4	184	4 3/4	121	5 1/8	130	3/4 19
HS-B-210-680	4	102	7 1/4	184	4 3/4	121	5 1/8	130	3/4 19
HS-C2-125-1870	4	102	8	203	5 1/4	133	5 1/4	133	7/8 22
HS-2-C2-2420-3740	9	229	10	254	5 1/4	133	6	152	1 25
HS-4-C2-3520-7480	7	178	13	330	8 7/8	225	8	203	1 1/4 32

Size	Derated Capacity (lbs) (kg)		Derated Deflection (in) (mm)		Size	Derated Capacity (lbs) (kg)		Derated Deflection (in) (mm)	
	(lbs)	(kg)	(in)	(mm)		(lbs)	(kg)	(in)	(mm)
B2-450	410	186	1.83	46.5	2-C2-2420	2020	918	1.67	42.4
B2-680	565	257	1.66	42.2	2-C2-3080	2570	1168	1.67	42.4
C2-880	800	364	1.82	46.2	2-C2-3740	3120	1418	1.67	42.4
C2-1210	1010	459	1.67	42.4	4-C2-3520	3600	1636	1.82	46.2
C2-1540	1285	584	1.67	42.4	4-C2-4840	4040	1836	1.67	42.4
C2-1870	1560	709	1.67	42.4	4-C2-6160	5145	2339	1.67	42.4
					4-C2-7480	6245	2839	1.67	42.4

PLAN VIEW OF HANGER LOCATIONS

TAG: _____
 UNIT: _____



SPECIFIED DEFLECTION

1:	6:
2:	7:
3:	8:
4:	9:
5:	10:
Sets Required:	